

# LA2Xi I/O-CON



LA2Xi I/O-CON is an optional XLR and speakON™ connector panel for LA2Xi.

The rugged panel provides standardized locking connectors for analog and AES/EBU input signals and loudspeaker outputs.

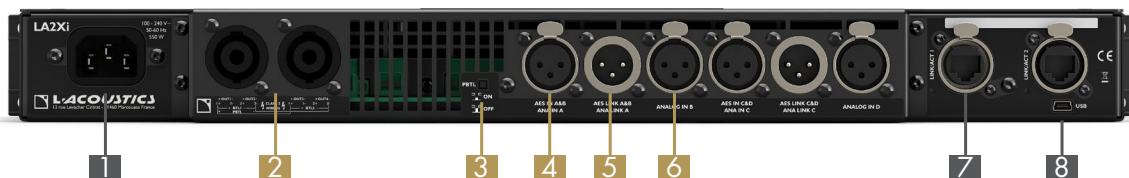
LA2Xi I/O-CON mounts onto the LA2Xi back panel<sup>1</sup> and covers the original terminal blocks. It offers an alternative connectivity solution based on fast-locking Neutrik® connectors widely used in professional audio applications. The ventilated panel offers four XLR female connectors for AES/EBU and analog inputs, two XLR male connectors for AES/EBU and analog<sup>2</sup> link and two 4-point speakON™ female connectors for loudspeaker outputs.

The three output modes of LA2Xi, single-ended (SE), bridge-tied load (BTL), and parallel bridge-tied load (PBTl) continue to be available with the LA2Xi I/O-CON. Additionally, two L-Acoustics SP adapters extend its functionality: the SP-Y1 splits channels to connect passive speakers in SE mode, while the SB5-BTL directly connects subs or passive speakers in BTL mode. A recessed switch allows activation of the PBTl output mode and requires an appropriate custom cable adapter.

The etherCON™ connectors and the IEC mains connector remain accessible from the LA2Xi chassis.



## USER INTERFACE



- |  |  |   |
|--|--|---|
| 1 IEC V-Lock compatible power supply inlet | 4 AES/EBU or Analog XLR input connectors             | 7 etherCON™ 1 Gbit/s Ethernet connectors  |
| 2 4-point speakON™ connectors              | 5 AES/EBU or Analog <sup>2</sup> XLR link connectors | 8 USB port (for IP address configuration) |
| 3 PBTl mode switch button                  | 6 Analog XLR input connectors                        |   |

- On LA2Xi chassis
- On LA2Xi I/O-CON

<sup>1</sup> LA2Xi I/O-CON is compatible with LA2Xi with serial numbers above 1730002000.

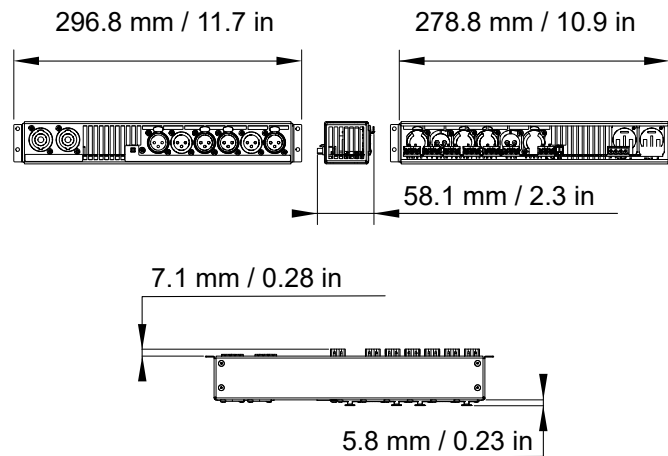
<sup>2</sup> For LA2Xi with serial numbers below 1730003000 the link port can only operate in AES/EBU input mode

# SPECIFICATIONS

Connectors	
AES/EBU inputs	2 x female XLR: A&B and C&D channels, shared with analog inputs A and C
Analog inputs	2 x female XLR: A and C channels, shared with AES/EBU inputs 2 x female XLR for inputs B and D
Input links	2 x male XLR: AES/EBU A&B/ANA A and AES/EBU C&D/ANA C <sup>2</sup>
Loudspeaker outputs	2 x 4-point speakON™ connectors
Interface	
PBTL switch	Recessed push button
Physical data	
Height	1U
Weight LA2Xi I/O-CON	0.6 kg / 1.2 lb
Weight LA2Xi with LA2Xi I/O-CON	5 kg / 10.9 lb

# DIMENSIONS

## LA2Xi I/O-CON



## LA2Xi with LA2Xi I/O-CON

